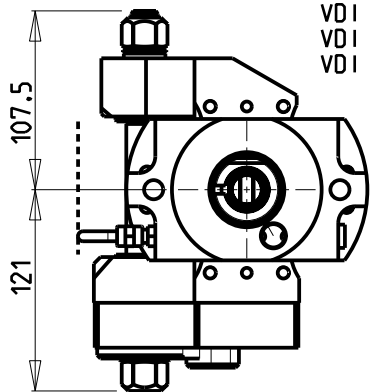
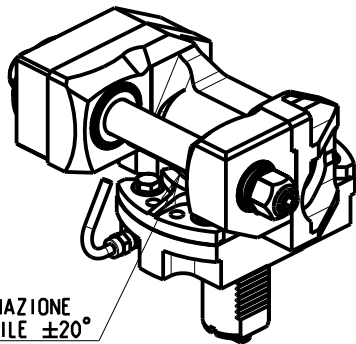


VDI DESTRO
VDI Right hand
VDI Recht



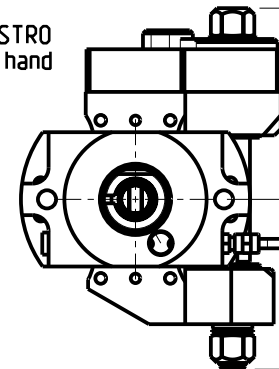
107.5
121

INCLINAZIONE
REGOLABILE ±20°



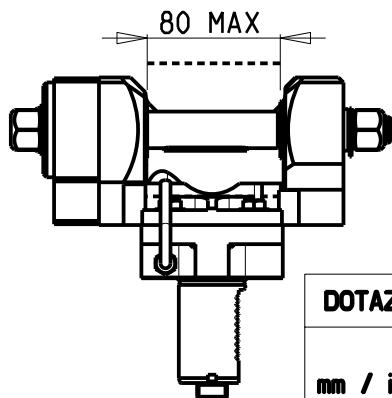
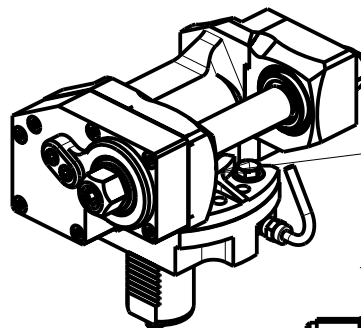
-LA FUNZIONE DI POLIGONATURA/DENTATURA
DEVE ESSERE INSTALLATA SULLA MACCHINA
-POLYGON CUTTING/GEAR HOBBING FUNCTION
MUST BE INSTALLED ON THE MACHINE
-DIE FUNKTION FÜR POLYGON-BZW. VERZÄHNUNGSFRÄSEN
MUSS AUF DER MASCHINE FREIGESCHALTET WERDEN

VDI SINISTRO
VDI Left hand
VDI Link

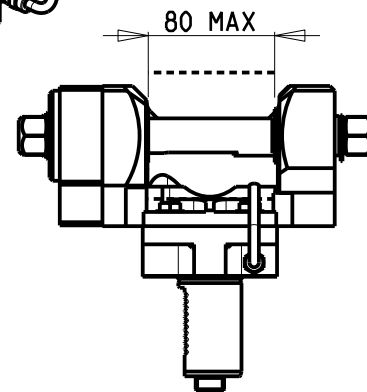


121
107.5

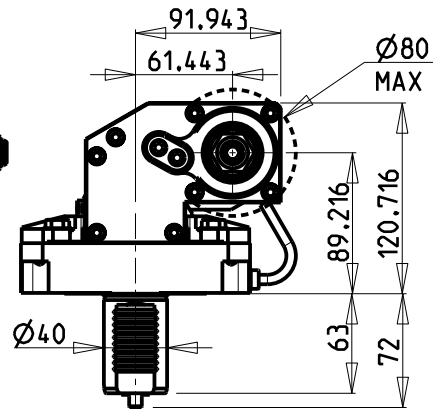
INCLINAZIONE
REGOLABILE ±20°



80 MAX



80 MAX



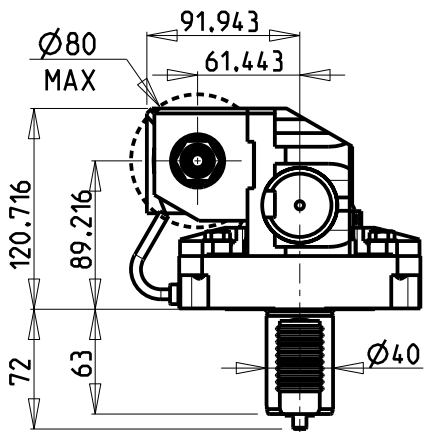
91.943
61.443
Ø80 MAX
120.716
89.216
63
72
Ø40

DOTAZIONI - SUPPLIED WITH - AUSSTATTUNG

mm / inch

- N°1 ALBERO + DISTANZIALI
- N°1 SHAFT + SPACER
- N°1 DORN + ABSTANDSSTUECK

PER ALBERI E DISTANZIALI VEDI PAG. TBL250-1-00
FOR SHAFT END SPACER SEE PAGE TBL250-1-00
FUER DORN UND ABSTANDSSTUECK SEITE TBL250-1-00



Ø80 MAX
91.943
61.443
120.716
89.216
72
63
Ø40

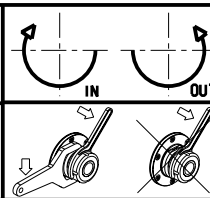
**TORRETTE RADIALI
RADIAL TURRETS
RADIAL REVOLVER**



Cod. MT	I	RPM max	Coppia Max Max Torque Max Drehmoment	Lubrificazione est. Ext. coolant Aussenkuehlung	D (mm)	D (Inch)	CHIAVI INCLUSE Keys included Schlüssel inbegriffen			VDI
							CHUB24	CHUB13	CHESL08	
TKW 0151100	1:1	4000	60Nm	X	16-22-27-32	3/4"-1"-1 1/4"	CHUB24	CHUB13	CHESL08	DESTRO - Right - Recht
TKW 0152100	2:1	2000	80Nm	X	16-22-27-32	3/4"-1"-1 1/4"	CHUB24	CHUB13	CHESL08	DESTRO - Right - Recht
TKW 0151110	1:1	4000	60Nm	X	16-22-27-32	3/4"-1"-1 1/4"	CHUB24	CHUB13	CHESL08	SINISTRO - Left - Link
TKW 0152110	2:1	2000	80Nm	X	16-22-27-32	3/4"-1"-1 1/4"	CHUB24	CHUB13	CHESL08	SINISTRO - Left - Link

TAKISAWA
MOD: TMM200/250 - TNR200

MODULO MOTORIZZATO PORTACREATORE VDI40
Driven gear hobber VDI40
Angetriebenes Zahnradwaeltzraes-Werkzeug VDI40



M.T. srl
Via Casino Albini 480
Tel. 0541/956034-957884
Fax 0541/956341
47842 S. GIOVANNI IN M. (RN)
e-mail: mtma@tmarchetti.com
http://www.tmmarchetti.com



TKW 340-3-05

Subject to change without notice.

09/2024