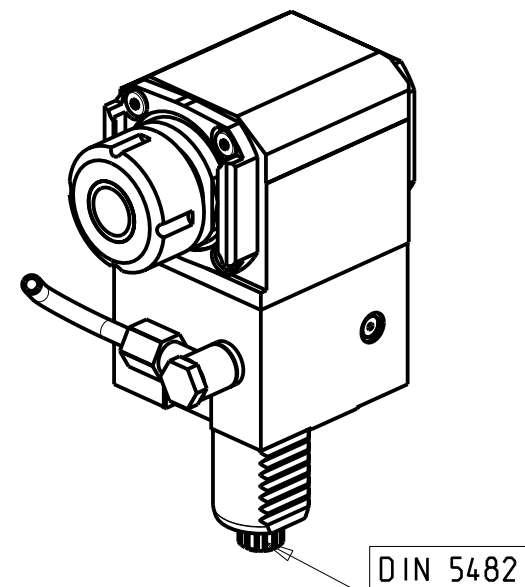
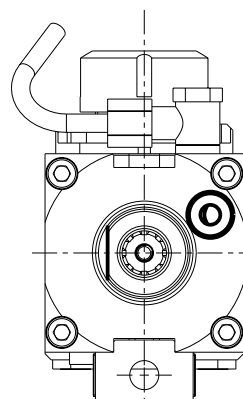
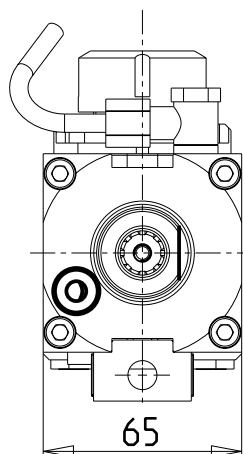


versione dx
right version
version rechts

versione sx
left version
version links

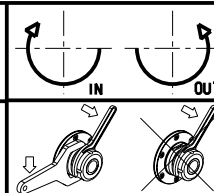


- Chiave inclusa
- Key included
- Schlüssel inbegriffen

Cod. MT		Mandrino Spindel Spindel	I	RPM	Coppia Max Max Torque Max Drehmoment	Lubrificazione int. Coolant through Innenkuehlung	Lubrificazione est. Ext. coolant Aussenkuehlung	ØD	L	A	A1	A2	B	CHIAVI NON INCLUDE Keys not included Schlüssel nicht einbegriffen	
versione dx right version version rechts	versione sx left version version links														
SAU0180125	SAU0181125	ER25	1:1	6000	32Nm	-	X	-	-	66.2	-	-	38	OKU0290009	CHSTER25
SAU0180225	SAU0181225	ER25	1:1	6000	32Nm	P=70bar	X	-	-	66.2	-	-	48	OKU0290009	CHSTER25
SAU0180316	SAU0181316	WELDON16	1:1	6000	32Nm	-	X	-	-	-	-	54.5	38	-	-
SAU0180416	SAU0181416	Ø16x17	1:1	6000	32Nm	-	X	16	17	-	45	-	38	OKU0290009	CH_VTCROCE_M08
SAU0180422	SAU0181422	Ø22x19	1:1	6000	32Nm	-	X	22	19	-	47	-	38	OKU0290009	CH_VTCROCE_M10

SAUTER
VDI 30

MODULO MOTORIZZATO RADIALE VDI30 DIN 5482
Radial driven tool VDI30 DIN 5482
Radial angetriebenes Werkzeug VDI30 DIN 5482



M.T. srl

Via Casino Albini 480
Tel. 0541/956034-957884
Fax 0541/956341
47842 S. GIOVANNI IN M. (RN)
e-mail: mtma@mtmarchetti.com
http://www.mtmarchetti.com



SAU015-2-00

Subject to change without notice.

09/2024