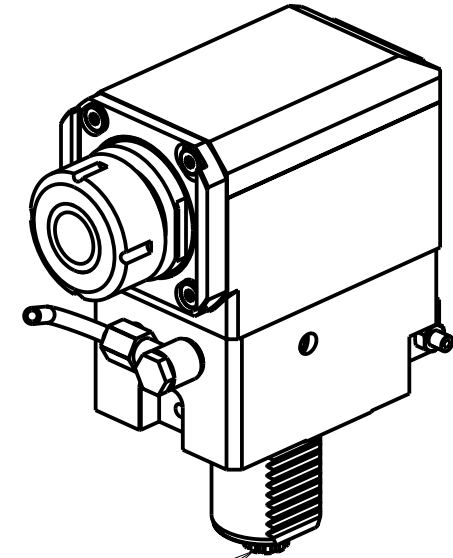
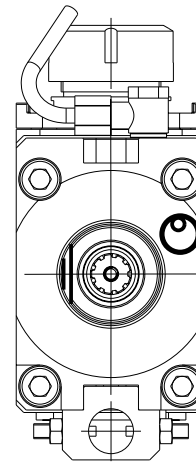
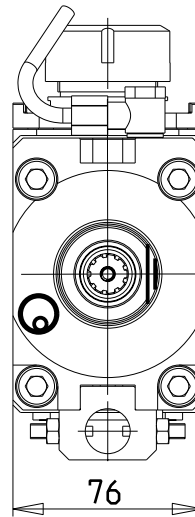


versione dx
right version
version rechts

versione sx
left version
version links



DIN 5482

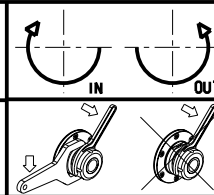
- Chiave inclusa
- Key included
- Schlüssel inbegriffen

| Cod. MT | | Mandrino Spindle Spindel | I | RPM | Coppia Max Max Torque Max Drehmoment | Lubrificazione int. Coolant through Innenkuehlung | Lubrificazione est. Ext. coolant Aussenkuehlung | A | A1 | B | D | L | CHIAVI NON INCLUDE Keys not included Schlüssel nicht einbegriffen | |
|--|--|--------------------------------|-----|------|--|---|---|-------|------|------|----|----|---|----------------|
| versione dx right version version rechts | versione sx left version version links | | | | | | | | | | | | | |
| SAU0920132 | SAU0921132 | ER32 | 1:1 | 4000 | 70Nm | - | X | 99.7 | - | 58.5 | - | - | OKU0650004 | CHSTER32 |
| SAU0920232 | SAU0921232 | ER32 | 1:1 | 4000 | 70Nm | P=70bar | X | 99.7 | - | 69.5 | - | - | OKU0650004 | CHSTER32 |
| SAU0920140 | SAU0921140 | ER40 | 1:1 | 4000 | 70Nm | - | X | 103.7 | - | 58.5 | - | - | OKU0650004 | CHSTER40 |
| SAU0920240 | SAU0921240 | ER40 | 1:1 | 4000 | 70Nm | P=70bar | X | 103.7 | - | 69.5 | - | - | OKU0650004 | CHSTER40 |
| SAU0920522 | SAU0921522 | Ø22x19 | 1:1 | 4000 | 70Nm | - | X | - | 78.5 | 58.5 | 22 | 19 | CHUB41 | CH_VTCROCE_M10 |
| SAU0920527 | SAU0921527 | Ø27x21 | 1:1 | 4000 | 70Nm | - | X | - | 78.5 | 58.5 | 27 | 21 | CHUB41 | CH_VTCROCE_M12 |

SAUTER
VDI 40

MODULO MOTORIZZATO RADIALE VDI40 DIN 5482 H=100mm
Radial driven tool VDI40 DIN 5482 H=100mm
Radial angetriebenes Werkzeug VDI40 DIN 5482 H=100mm

Subject to change without notice.



M.T. srl

Via Casino Albini 480
Tel. 0541/956034-957884
Fax 0541/956341
47842 S. GIOVANNI IN M. (RN)
e-mail: mtma@mtmarchetti.com
http://www.mtmarchetti.com



SAU015-3-00