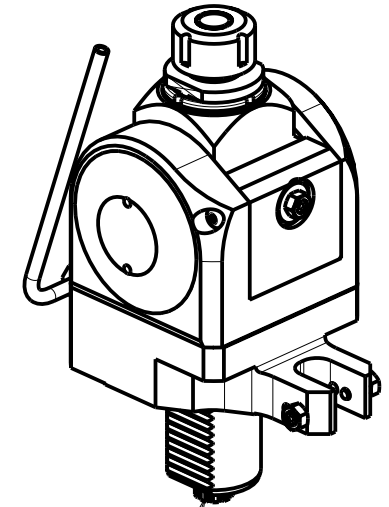
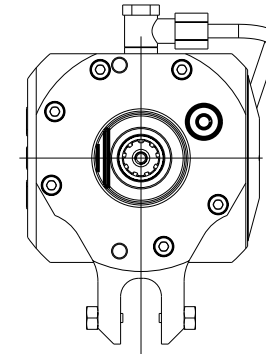
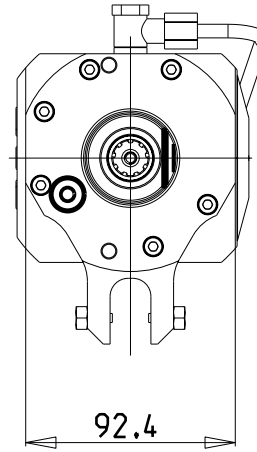


versione dx  
right version  
version rechts

versione sx  
left version  
version links

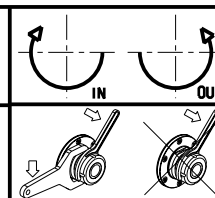


DIN 5482

Cod. MT		Mandrino Spindle Spindel	I	RPM	Coppia Max Max Torque Max Drehmoment	Lubrificazione est. Ext. coolant Aussehenkuehlung	A	A1	D	L	CHIAVI INCLUSE Keys included Schlüssel einbegriffen	
versione dx right version version rechts	versione sx left version version links										CHUB36	CHSTER
0210020_SAU	SAU0700020	ER20	1:1	4000	40Nm	X	84.16	-	-	-	CHUB36	CHSTER20
0210025_SAU	SAU0700025	ER25	1:1	4000	40Nm	X	85.66	-	-	-	CHUB36	CHSTER25
0211617_SAU	SAU0701617	Ø16x17	1:1	4000	40Nm	X	-	65	16	17	CHUB36	CH_VTCROCE_M08
0212219_SAU	SAU0702219	Ø22x19	1:1	4000	40Nm	X	-	66	22	19	CHUB36	CH_VTCROCE_M10
0211905_SAU	SAU0701905	Ø3/4"x3/4"	1:1	4000	40Nm	X	-	65	3/4"	3/4"	CHUB36	CH_VTCROCE_M08

SAUTER  
VDI 40

MODULO MOTORIZZATO ORIENTABILE 0-90° VDI40 DIN 5482  
0-90° adjustable angle driven tool VDI40 DIN 5482  
Angetriebenes Werkzeug schwenkbar 0-90° VDI40 DIN 5482



**M.T. srl**

Via Casino Albini 480  
Tel. 0541/956034-957884  
Fax 0541/956341  
47842 S. GIOVANNI IN M. (RN)  
e-mail: mtma@mtmarchetti.com  
http://www.mtmarchetti.com

PRODUZIONE MODULI ROTANTI



PAGINA SAU016-3-50