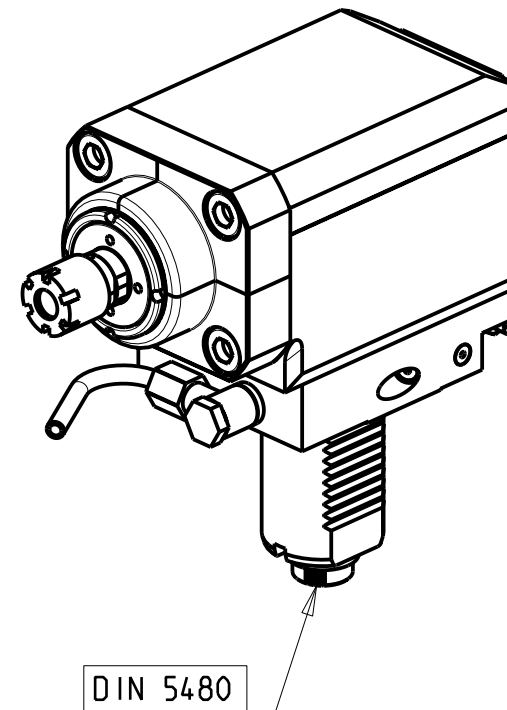
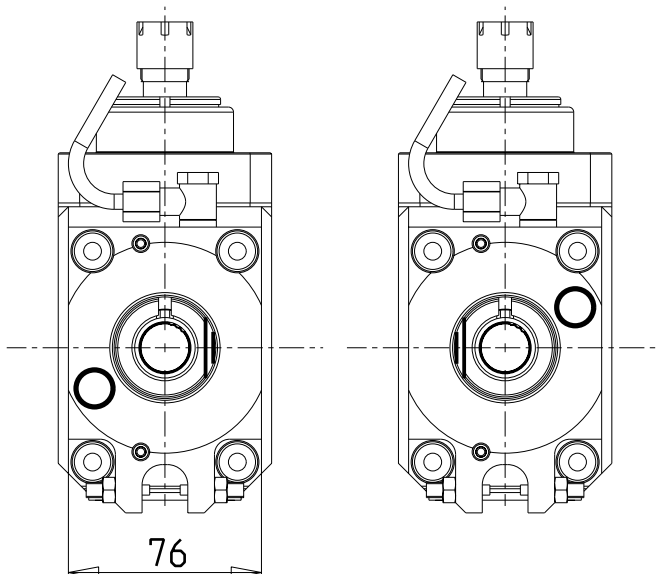


versione dx  
right version  
version rechts

versione sx  
left version  
version links

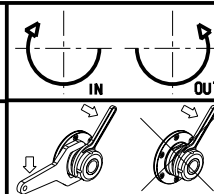


DIN 5480

Cod. MT		Mandrino Spindle Spindel	i	RPM	Coppia Max Max Torque Max Drehmoment	Lubrificazione est. Ext. coolant Aussenkuehlung	CHIAVI INCLUSE Keys included Schlüssel einbegriffen	
versione dx right version version rechts	versione sx left version version links						CHUB17	CHMNER16
SAU0580016	SAU0581016	ER16	1:3	18000	10Nm	X	CHUB17	CHMNER16

SAUTER  
VDI 40

MODULO MOTORIZZATO RADIALE MOLTIPLICATO I=1:3 VDI40 DIN 5480 H=70mm  
Radial geared-up I=1:3 driven tool VDI40 DIN 5480 H=70mm  
Radial angetriebenes Werkzeug uebersetzt I=1:3 VDI40 DIN 5480 H=70mm



**M.T. srl**  
Via Casino Albini 480  
Tel. 0541/956034-957884  
Fax 0541/956341  
47842 S. GIOVANNI IN M. (RN)  
e-mail: mtma@tmarchetti.com  
http://www.tmmarchetti.com



SAU018-3-04

Subject to change without notice.

09/2024