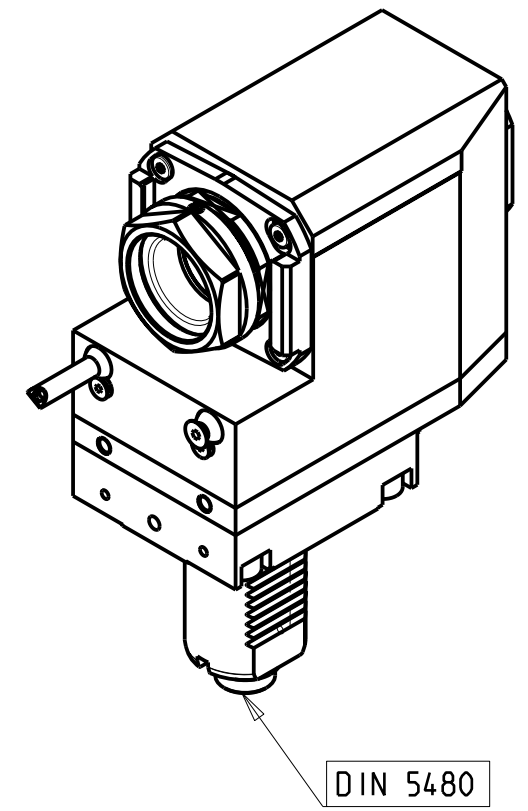
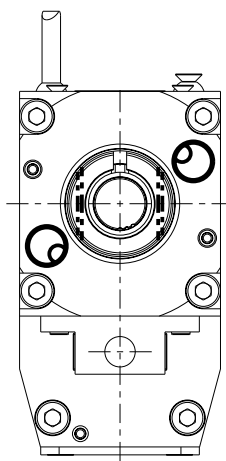
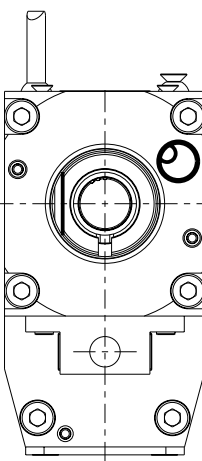
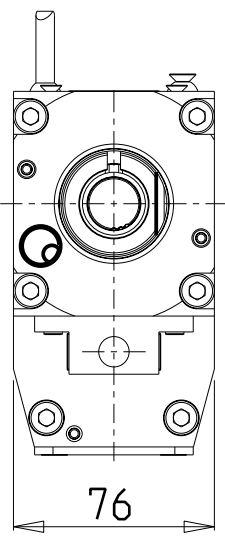


versione dx
right version
version rechts

versione sx
left version
version links

versione universale
universal version
universal version



DIN 5480

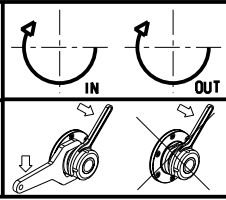
PER PORTAUTENSILI MODULARI MTSK-40 VEDI PAG. TBL300-1-40
FOR MTSK-40 QUIK CHANGE TOOLHOLDERS CLAMPINGS SEE PAGE TBL300-1-40
FUER MTSK-40 MODULARE WERKZEUGAUFNAHMEN SIEHE SEITE TBL300-1-40

- Chiave inclusa
- Key included
- Schlüssel inbegriffen

Cod. MT			Mandrino Spindle Spindel	I	RPM	Coppia Max Max Torque Max Drehmoment	Lubrificazione int. Coolant through Innenkuehlung	Lubrificazione est. Ext. coolant Aussenkuehlung	B	CHIAVI NON INCLUDE Keys not included Schlüssel nicht einbegriffen	
versione dx right version version rechts	versione sx left version version links	versione universale universal version universal version									
SAU0710140	SAU0711140	SAU0712140	MTSK-40	1:1	6000	70Nm	-	X	95	CHUB46	MNZ0410005 *
SAU0710240	SAU0711240	SAU0712240	MTSK-40	1:1	6000	70Nm	P=70bar	X	108.5	CHUB46	MNZ0410005 *

SAUTER
VDI 40

MODULO MOTORIZZATO RADIALE ARRETRATO MTSK VDI40 DIN 5480 H=100mm
Radial MTSK rear-set driven tool VDI40 DIN 5480 H=100mm
Radial MTSK angetriebenes Werkzeug zurueckversetzt VDI40 DIN 5480 H=100mm



M.T. srl
Via Casino Albini 480
Tel. 0541/956034-957884
Fax 0541/956341
47842 S. GIOVANNI IN M. (RN)
e-mail: mtma@mtmarchetti.com
http://www.mtmarchetti.com



SAU018-3-70-K

Subject to change without notice.