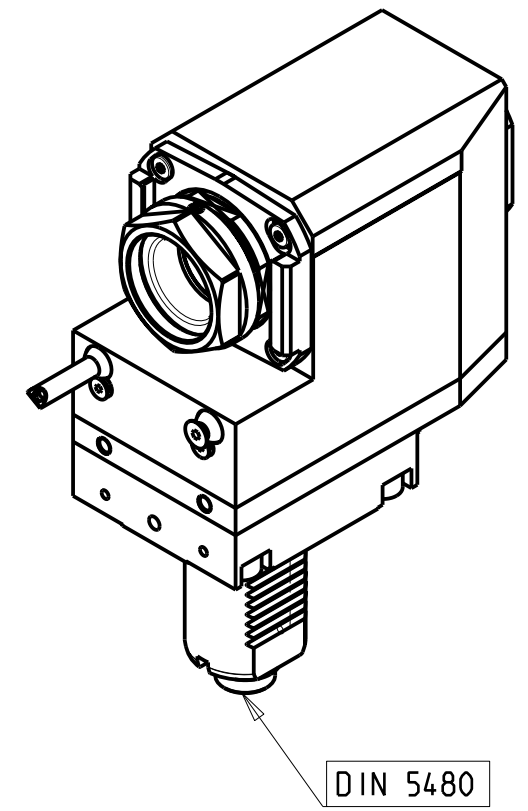
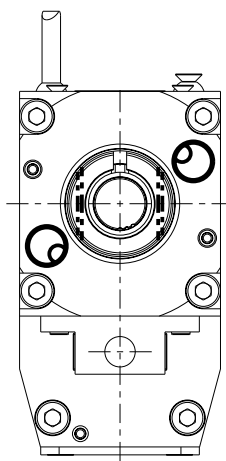
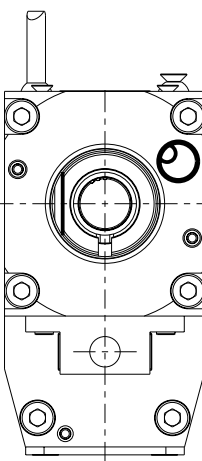
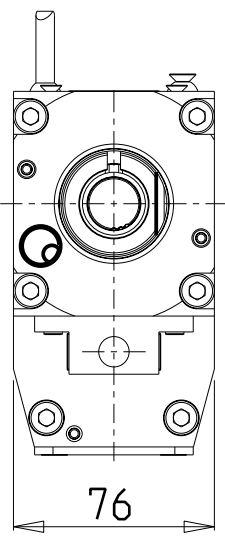


versione dx
right version
version rechts

versione sx
left version
version links

versione universale
universal version
universal version



DIN 5480

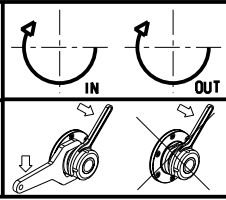
PER PORTAUTENSILI MODULARI MTSK-40 VEDI PAG. TBL300-1-40
 FOR MTSK-40 QUIK CHANGE TOOLHOLDERS CLAMPINGS SEE PAGE TBL300-1-40
 FUER MTSK-40 MODULARE WERKZEUGAUFNAHMEN SIEHE SEITE TBL300-1-40

- Chiave inclusa
- Key included
- Schlüssel inbegriffen

Cod. MT			Mandrino Spindle Spindel	I	RPM	Coppia Max Max Torque Max Drehmoment	Lubrificazione int. Coolant through Innenkuehlung	Lubrificazione est. Ext. coolant Aussenkuehlung	B	CHIAVI NON INCLUDE Keys not included Schlüssel nicht einbegriffen	
versione dx right version version rechts	versione sx left version version links	versione universale universal version universal version								CHUB46	MNZ0410005 *
SAU0710340	SAU0711340	SAU0712340	MTSK-40	2:1	3000	90Nm	-	X	95	CHUB46	MNZ0410005 *
SAU0710440	SAU0711440	SAU0712440	MTSK-40	2:1	3000	90Nm	P=70bar	X	108.5	CHUB46	MNZ0410005 *

SAUTER
VDI 40

MODULO MOTORIZZATO RADIALE ARRETRATO MTSK RIDOTTO I=2:1 VDI40 DIN 5480
 Radial MTSK geared-down I=2:1 rear-set driven tool VDI40 DIN 5480
 Radial MTSK angetriebenes Werkzeug zurueckversetzt untersetzt I=2:1 VDI40 DIN 5480



M.T. srl
 Via Casino Albini 480
 Tel. 0541/956034-957884
 Fax 0541/956341
 47842 S. GIOVANNI IN M. (RN)
 e-mail: mtma@mtmarchetti.com
 http://www.mtmarchetti.com



SAU018-3-71-K

Subject to change without notice.