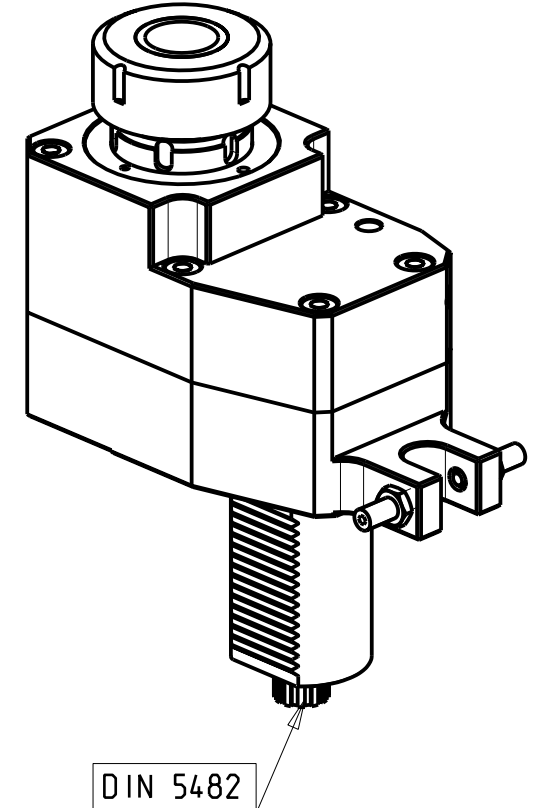
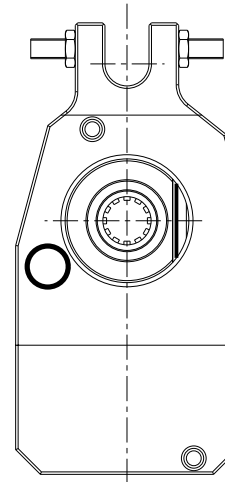
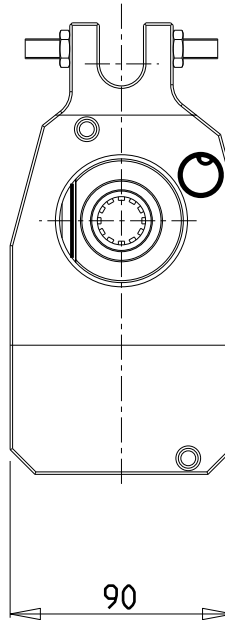


versione dx
right version
version rechts

versione sx
left version
version links



DIN 5482

Cod. MT

versione dx
right version
version rechts

versione sx
left version
version links

Mandrino
Spindle
Spindel

I

RPM

Coppia Max
Max Torque
Max Drehmoment

Lubrificazione est.
Ext. coolant
Aussenkuehlung

CHIAVI NON INCLUSE
Keys not included
Schlüssel nicht einbegriffen

245SAU_A40_50D00

245SAU_A40_50D20

ER40

1:1

4000

100Nm

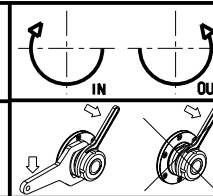
X

CHSE5255

CHSTER40

SAUTER
VDI 50

MODULO MOTORIZZATO ASSIALE DISASSATO 60mm VDI50 DIN 5482
Axial driven tool re-directed by 60mm VDI50 DIN 5482
Axial angetriebenes Werkzeug achsversetzt um 60mm VDI50 DIN 5482



M.T. srl

Via Casino Albini 480
Tel. 0541/956034-957884
Fax 0541/956341
47842 S. GIOVANNI IN M. (RN)
e-mail: mtma@mtmarchetti.com
http://www.mtmarchetti.com



SAU014-4-05

Subject to change without notice.

09/2024