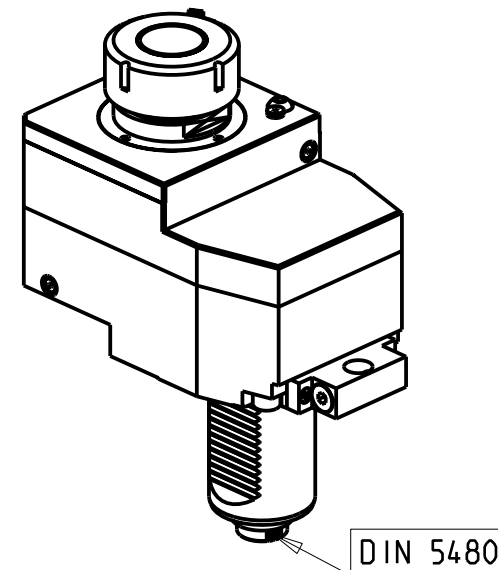
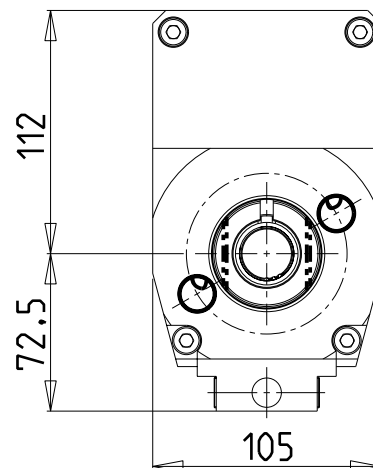


versione universale  
universal version  
universal version

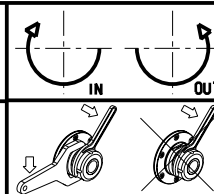


- Chiave inclusa
- Key included
- Schluessel inbegriffen

| Cod. MT    | Mandrino<br>Spindle<br>Spindel | I   | RPM  | Coppia Max<br>Max Torque<br>Max Drehmoment | Lubrificazione est.<br>Ext. coolant<br>Auslenkuehlung | Reversibile lato<br>mandrino/contromandrino<br>Reversible sub/main<br>spindle side<br>Umkehrbare Spindel-seite/<br>Gegenspindel-seite | A      | A1    | A2    | ØD | L  | CHIAVI NON INCLUDE<br>Keys not included<br>Schluessel nicht einbegriffen |                |
|------------|--------------------------------|-----|------|--|---|---|--------|-------|-------|----|----|--|----------------|
| SAU0281225 | ERA25                          | 2:1 | 3000 | 120Nm                                      | X   | X   | 144.16 | -     | -     | -  | -  | CHUB46   | CHUB27         |
| SAU0281232 | ERA32                          | 2:1 | 3000 | 120Nm                                      | X   | X   | 115.8  | -     | -     | -  | -  | CHUB46   | CHUB32         |
| SAU0280240 | ER40                           | 2:1 | 3000 | 120Nm                                      | X   | X   | 122.5  | -     | -     | -  | -  | CHUB46   | CHSTER40       |
| SAU0282222 | Ø22x19                         | 2:1 | 3000 | 120Nm                                      | X   | X   | -      | 116.5 | -     | 22 | 19 | CHUB46   | CH_VTCROCE_M10 |
| SAU0283225 | WELDON 25                      | 2:1 | 3000 | 120Nm                                      | X   | X   | -      | -     | 137.5 | -  | -  | -  | -              |

SAUTER  
VDI 50

MODULO MOTORIZZATO ASSIALE RIDOTTO I=2:1 DISASSATO 60mm VDI50 DIN 5480  
Axial geared-down I=2:1 driven tool re-directed by 60mm VDI50 DIN 5480  
Axial angetriebenes Werkzeug untersetzt I=2:1 achsversetzt um 60mm VDI50 DIN 5480



**M.T. srl**

Via Casino Albini 480  
Tel. 0541/956034-957884  
Fax 0541/956341  
47842 S. GIOVANNI IN M. (RN)  
e-mail: mtma@mtmarchetti.com  
http://www.mtmarchetti.com



SAU017-4-30

Subject to change without notice.

09/2024