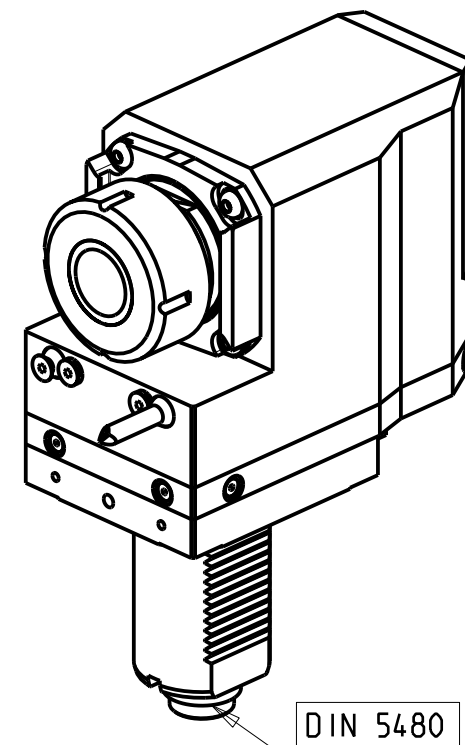
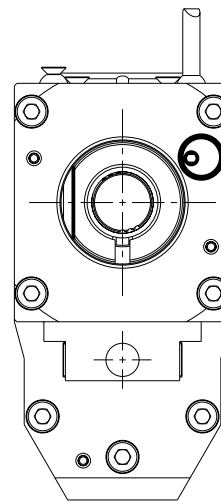
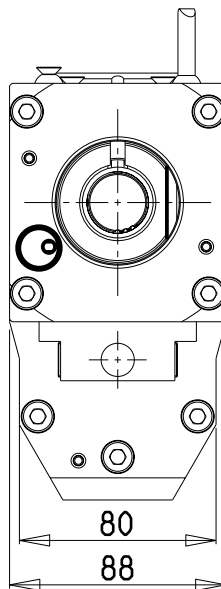


versione dx
right version
version rechts

versione sx
left version
version links



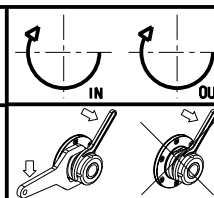
DIN 5480

Cod. MT		Mandrino Spindle Spindel	I	RPM	Coppia Max Max Torque Max Drehmoment	Lubrificazione int. Coolant through Innenkuehlung	Lubrificazione est. Ext. coolant Aussenkuehlung	A	A1	B	CHIAVI NON INCLUDE Keys not included Schluessel nicht einbegriffen	
versione dx right version version rechts	versione sx left version version links											
SAU0270140	SAU0271140	ER40	1:1	6000	100Nm	-	X	52.66	-	121	OKU0650004 *	CHSTER40
SAU0270240	SAU0271240	ER40	1:1	6000	100Nm	P=70bar	X	52.66	-	135	OKU0650004 *	CHSTER40
SAU0270325	SAU0271325	WELDON25	1:1	6000	100Nm	-	X	-	42.5	121	-	-
SAU0270425	SAU0271425	WELDON25	1:1	6000	100Nm	P=70bar	X	-	42.5	135	-	-

- Chiave inclusa
- Key included
- Schluessel inbegriffen

SAUTER
VDI 50

MODULO MOTORIZZATO RADIALE ARRETRATO VDI50 DIN 5480
Radial rear-set driven tool VDI50 DIN 5480
Radial angetriebenes Werkzeug zurueckversetzt VDI50 DIN 5480



M.T. srl
Via Casino Albini 480
Tel. 0541/956034-957884
Fax 0541/956341
47842 S. GIOVANNI IN M. (RN)
e-mail: mtma@mtmarchetti.com
http://www.mtmarchetti.com



SAU018-4-60

Subject to change without notice.

09/2024