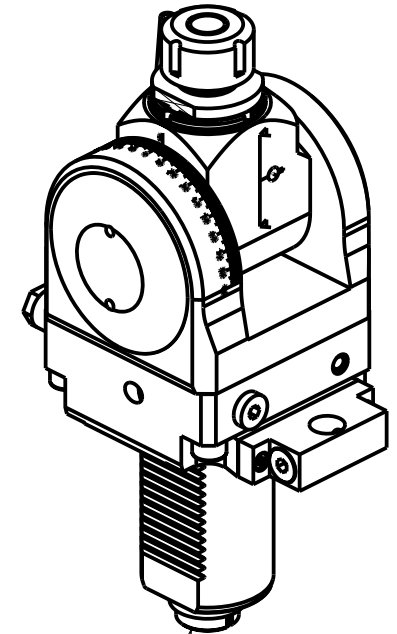
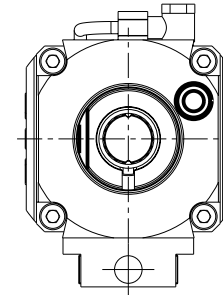
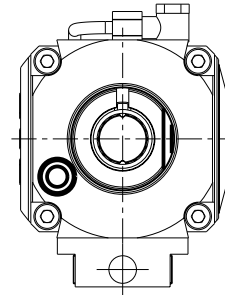


versione dx
right version
version rechts

versione sx
left version
version links



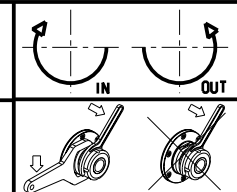
DIN 5480

Cod. MT		Mandrino Spindle Spindel	I	RPM	Coppia Max Max Torque Max Drehmoment	Lubrificazione est. Ext. coolant Aussehenkuehlung	A	A1	D	L	CHIAVI INCLUDE Keys included Schlüssel einbegriffen	
versione dx right version version rechts	versione sx left version version links											
SAU1090120	SAU1091120	ER20	1:1	6000	40Nm	X	85.16	-	-	-	CHUB36	CHSTER20
SAU1090125	SAU1091125	ER25	1:1	6000	40Nm	X	86.16	-	-	-	CHUB36	CHSTER25
SAU1090516	SAU1091516	Ø16x17	1:1	6000	40Nm	X	-	65	16	17	CHUB36	CH_VTCROCE_M08
SAU1090522	SAU1091522	Ø22x19	1:1	6000	40Nm	X	-	66	22	19	CHUB36	CH_VTCROCE_M10
SAU1090519	SAU1091519	Ø3/4"x3/4"	1:1	6000	40Nm	X	-	65	3/4"	3/4"	CHUB36	CH_VTCROCE_M08

SAUTER
VDI 50

MODULO MOTORIZZATO ORIENTABILE ±90° VDI50 DIN 5480
±90° adjustable angle driven tool VDI50 DIN 5480
Angetriebenes Werkzeug schwenkbar ±90° VDI50 DIN 5480

Subject to change without notice.



M.T. srl
Via Casino Albini 480
Tel. 0541/956034-957884
Fax 0541/956341
47842 S. GIOVANNI IN M. (RN)
e-mail: mtma@mtmarchetti.com
http://www.mtmarchetti.com



SAU019-4-60