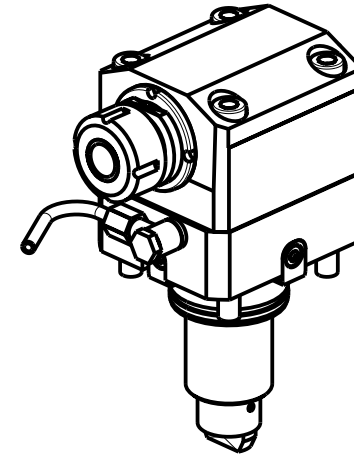
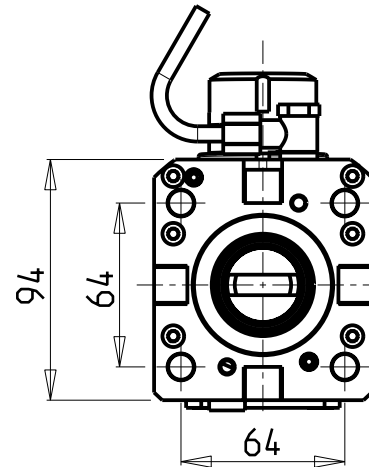
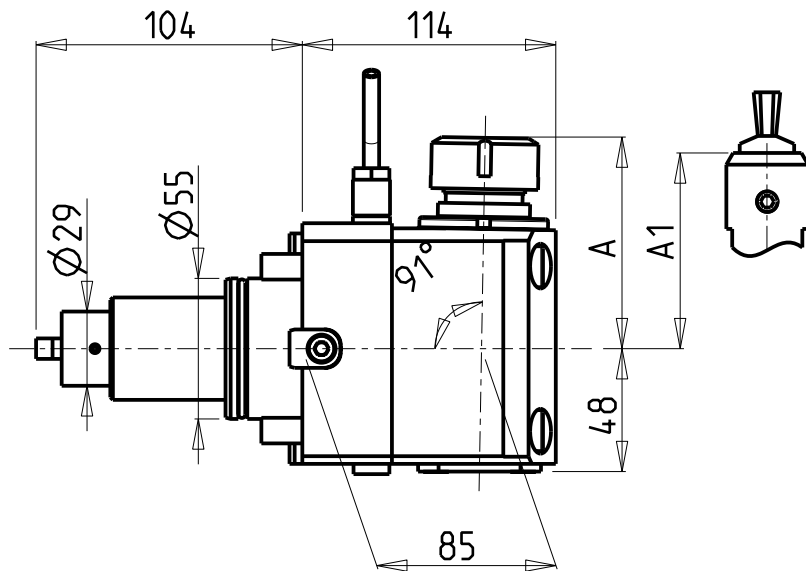


ATTENZIONE - ATTENTION - ACHTUNG

- VERIFICARE LE MISURE DI INGOMBRO PER POSSIBILE INTERFERENZA SU ALCUNI MODELLI DI MACCHINE
- Please check the overall sizes for possible interferences on some machine models
- Bitte überprüfen sie das ausmass um mögliche interferenzen auf einigen maschinen modellen zu vermeiden



| Cod. MT | Mandrino Spindle Spindel | I | RPM | Coppia Max Max Torque Max Drehmoment | Reversibile lato mandrino/contromandrino Reversible sub/main spindle side Umkehrbare Spindel-seite/Gegenspindel-seite | Lubrificazione est. Ext. coolant Auslenkuehlung | A | A1 | CHIAVI NON INCLUSE Keys not included Schlüssel nicht einbegriffen | |
|------------|--------------------------|-----|------|--------------------------------------|---|---|-------|------|---|------------------|
| DW00029125 | ER25 | 1:1 | 6000 | 50Nm | X | X | 82.35 | - | CHSTER25 | CHUB36 o 0100000 |
| DW00029108 | WELDON 8 | 1:1 | 6000 | 50Nm | X | X | - | 76.5 | | |
| DW00029110 | WELDON 10 | 1:1 | 6000 | 50Nm | X | X | - | 76.5 | | |
| DW00029112 | WELDON 12 | 1:1 | 6000 | 50Nm | X | X | - | 76.5 | | |
| DW00029116 | WELDON 16 | 1:1 | 6000 | 50Nm | X | X | - | 73.5 | | |

VICTOR

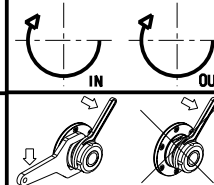
MOD: VTURN-A16/A20/A200 CM/SCM/YCM/YSCM - VTURN-Q200 - VTURN-NP20CM - VTURN-S20CM

MODULO MOTORIZZATO ASSIALE PER POLIGONATURA INTERNA H=85mm

Axial driven tool for internal polygon-making H=85mm

Axial angetriebenes Werkzeug fuer interne Facettierung H=85mm

Subject to change without notice.



M.T. srl

Via Casino Albini 480
Tel. 0541/956034-957884

Fax 0541/956341

47842 S. GIOVANNI IN M. (RN)

e-mail: mtma@mtmarchetti.com

http://www.mtmarchetti.com



VCT230-1-30