

## CUSCINETTI MAGGIORATI PER LAVORAZIONI PESANTI

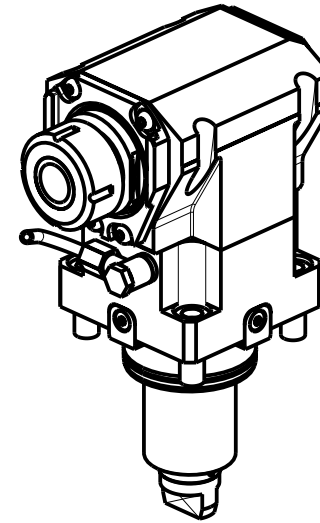
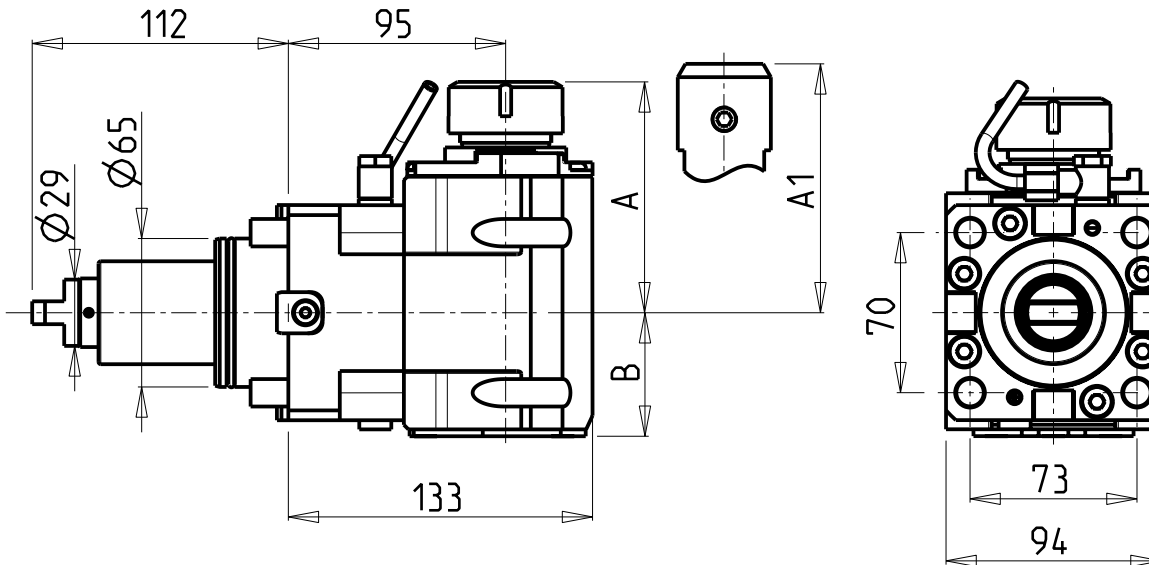
Reinforced bearings for  
heavy machining

Vergroesserte Lager fuer  
schwerere Bearbeitungen

### ATTENZIONE - ATTENTION - ACHTUNG

- VERIFICARE LE MISURE DI INGOMBRO PER POSSIBILE INTERFERENZA SU ALCUNI MODELLI DI MACCHINE
- Please check the overall sizes for possible interferences on some machine models
- Bitte überprüfen sie das ausmass um mögliche interferenzen auf einigen maschinen modellen zu vermeiden

- Chiave inclusa
- Key included
- Schlüssel inbegriffen

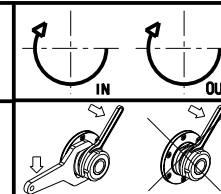


| Cod. MT     | Mandrino<br>Spindle<br>Spindel | I   | RPM  | Coppia Max<br>Max Torque<br>Max Drehmoment | Reversibile lato<br>mandrino/contromandrino<br>Reversible sub/main<br>spindle side<br>Umkehrbare Spindel-seite/<br>Gegenspindel-seite | Lubr.interna<br>Coolant through<br>Innenkuehlung | Lubr.esterna<br>Ext. coolant<br>Aussenkuehlung | A    | A1  | B    | CHIAVI NON INCLUSE<br>Keys not included<br>Schlüssel nicht einbegriffen |            |
|-------------|--------------------------------|-----|------|--|---|--|--|------|-----|------|---|------------|
| DW 02500132 | ER32                           | 1:1 | 6000 | 110Nm                                      | X   | -  | X  | 99.7 | -   | 56.5 | CHSTER32  | OKU0650004 |
| DW 02500232 | ER32                           | 1:1 | 6000 | 110Nm                                      | X   | P=70bar  | X  | 99.7 | -   | 67.5 | CHSTER32  | OKU0650004 |
| DW 02500725 | WELDON25                       | 1:1 | 6000 | 110Nm                                      | X   | -  | X  | -    | 106 | 56.5 | -   | -          |
| DW 02500825 | WELDON25                       | 1:1 | 6000 | 110Nm                                      | X   | P=70bar  | X  | -    | 106 | 67.5 | -   | -          |

YCM  
MOD: BTX250SY - NT2000/2500 12 STAZIONI

MODULO MOTORIZZATO ASSIALE MAGGIORATO H=95mm  
Axial reinforced driven tool H=95mm  
Axial angetriebenes Werkzeug vergroessert H=95mm

Subject to change without notice.



**M.T. srl**

Via Casino Albini 480  
Tel. 0541/956034-957884  
Fax 0541/956341  
47842 S. GIOVANNI IN M. (RN)  
e-mail: mtma@mtmarchetti.com  
http://www.mtmarchetti.com



YCM170-2-25