

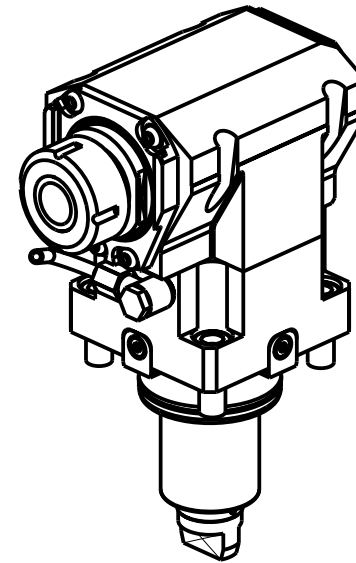
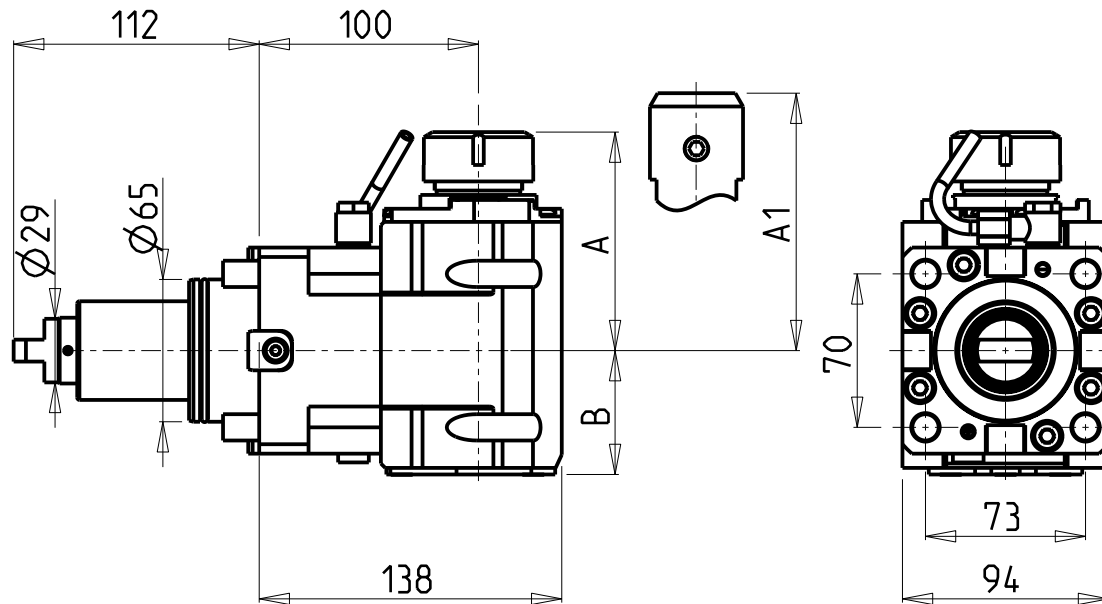
CUSCINETTI MAGGIORATI PER LAVORAZIONI PESANTI

Reinforced bearings for
heavy machining

Vergroesserte Lager fuer
schwerere Bearbeitungen

ATTENZIONE - ATTENTION - ACHTUNG

- VERIFICARE LE MISURE DI INGOMBRO PER POSSIBILE INTERFERENZA SU ALCUNI MODELLI DI MACCHINE
- Please check the overall sizes for possible interferences on some machine models
- Bitte überprüfen sie das ausmass um mögliche interferenzen auf einigen maschinen modellen zu vermeiden



• Chiave inclusa

• Key included

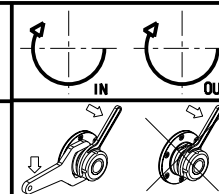
• Schlüssel inbegriffen

| Cod. MT | Mandrino Spindle Spindel | I | RPM | Coppia Max Max Torque Max Drehmoment | Reversibile lato mandrino/contromandrino Reversible sub/main spindle side Umkehrbare Spindel-seite/ Gegenspindel-seite | Lubr.interna Coolant through Innenkuehlung | Lubr.esterna Ext. coolant Aussenkuehlung | A | A1 | B | CHIAVI NON INCLUDE Keys not included Schlüssel nicht einbegriffen | |
|-------------|--------------------------------|-----|------|--|---|--|--|------|-----|------|---|------------|
| DW 02490132 | ER32 | 1:1 | 6000 | 110Nm | X | - | X | 99.7 | - | 56.5 | CHSTER32 | OKU0650004 |
| DW 02490232 | ER32 | 1:1 | 6000 | 110Nm | X | P=70bar | X | 99.7 | - | 67.5 | CHSTER32 | OKU0650004 |
| DW 02490725 | WELDON25 | 1:1 | 6000 | 110Nm | X | - | X | - | 106 | 56.5 | - | - |
| DW 02490825 | WELDON25 | 1:1 | 6000 | 110Nm | X | P=70bar | X | - | 106 | 67.5 | - | - |

YCM
MOD: BTX250SY - NT2000/2500 12 STAZIONI

MODULO MOTORIZZATO ASSIALE MAGGIORATO H=100mm
Axial reinforced driven tool H=100mm
Axial angetriebenes Werkzeug vergroessert H=100mm

Subject to change without notice.



M.T. srl

Via Casino Albini 480
Tel. 0541/956034-957884
Fax 0541/956341
47842 S. GIOVANNI IN M. (RN)
e-mail: mtma@mtmarchetti.com
http://www.mtmarchetti.com



YCM170-2-30